

The ONYX Interactive Whiteboard offers 4K resolution, 20-point touch interactivity, and Android/Windows compatibility. Ideal for meetings, teaching, and presentations, its versatile design supports wall mounting, stands, and both vertical or horizontal use, delivering seamless collaboration with a user-friendly interface.



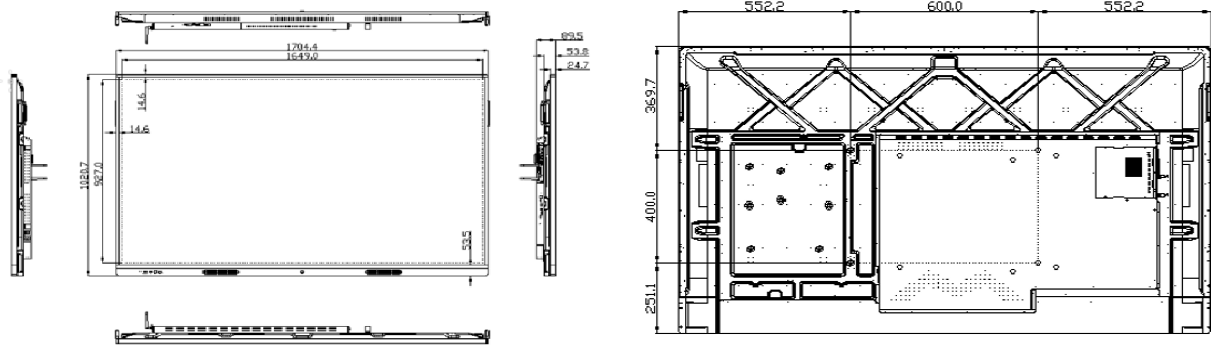
### Basic Model

Panel	Display size	75 inch (16:9)
	Display type	LED LCD display
	Screen display size	1649.0 x 927.1mm 【HxV】
	Physical resolution	3840(H)×2160(V)
	Display color	10bit, 1.07B
	Refresh rate	4K-60HZ
	Brightness	400cd/m2
	Contrast	5000:1
	Viewing angle	178°/178°
	Display protection	4mm fully tempered high explosion-proof-anti-glare glass
	Backlight life	50,000 hours
Touch	Touch embed	Built-in one-piece, not plug-in , front detachable design
	Touch sensing technology	Infrared sensing touch recognition technology ( 20 points)
	Writing style	Finger, touch pen or other non-transparent object with a diameter of not less than 5mm (multiple points 8mm)
	Cursor speed	120 points/s
	Positioning accuracy	More than 90% of the touch area is ±2mm
	Communication Interface	Type B USB male connector
	Touch resolution	32767*32767
	Touches	Theory unlimited times
	Computer response	System automatic identification; ≤ 15ms
	Driver	No need to drive
	Touch function	Support 20 -point computer touch operation Supports image enlargement, reduction, and rotation

	Speaker specifications	10W /8 ohm × 2 speakers
	Operating system	Android 13.0
	CPU	Quad core ARM Cortex-A55
	GPU	ARM Mali-G52 MP2 (2EE)
	Memory	4G
	FLASH	32GB
	WiFi	2.4G, 5G
	Bluetooth	Yes
Mayn parameters	Physical interface	Network input port: 1 Network output port: 1 Android USB2.0 ports: 1 RS232 port: 1 Touch2.0 ports: 1 HDMI IN port: 2 LINE OUT port: 1 Full channel USB 3.0 ports: 2 OPTICAL OUT port: 1
	Front terminal input	Front interface: USB*2 (full channel), type-c*1, HDMI IN*1, TOUCH*1 Front button: one-button power on/off
	Other functions	Supports full-channel switching touch, touch menu, touch menu operation, touch volume adjustment, touch brightness adjustment Supports sleep timer, shutdown memory Supports touch one-key energy saving [i.e. the screen is off and the all-in-one machine is in working state, and audio and video can be played normally] Supports remote control child lock function Supports front button one-key switch on and off the computer and TV Supports touch menu one-key shutdown Supports 2.0 channels Supports front computer USB3.0 socket Supports transfer of external devices using the machine's built-in touch frame function
Machine Features	Shell and appearance	Aluminum frame design, front buttons, front ports, front speakers
	Color	Silver +Black
	Overall dimensions	1704.4*1020.7*89.5mm
	Package Size	1784.6*1086.9*245mm
	net weight	56KG
	Gross Weight	70KG
	Power supply	AC 100-240V, 50/60Hz
	Maximum power consumption rate	≤195W
	Standby power	≤0.5W
	Installation	Standard wall mount (mobile bracket optional)
Environment	workplace	Indoor
	Operating temperature	0°C - 40°C
	Working humidity	10% - 90% non-condensing
	Storage temperature	-20°C - 60°C
	Storage humidity	10% - 90% non-condensation
Accessories	Remote control	1 piece
	Battery	2 pieces
	Maintenance card	1 piece
	Touch pen	1 piece
	Certificate	1 piece
	Manual	1 copy
	1.5m power cord	1 piece
Warranty	Warranty Period	2 Year
	Technical Support	Lifetime



Machine dimensions Unit: mm



Additional configurations available

Camera	1.3mp, 4.8mp, AI automatic tracking
CPU	i3, i5, i7
Memory	Standard 4G DDR4, Upgraded to 16G DDR4
Operating system	Windows 7, Windows 10
Graphics card	Intel HD Graphics
Expansion interface	1x MINI-SATA SSD interface
Microphone	8 microphone arrays,Echo Cancellation,8-meter ultra-long distance sound pickup effect

ONYX